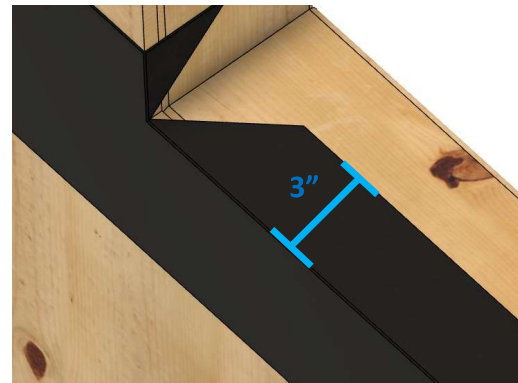
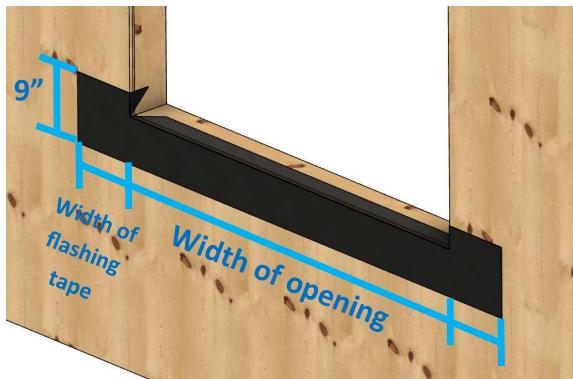


Window Installation Instructions

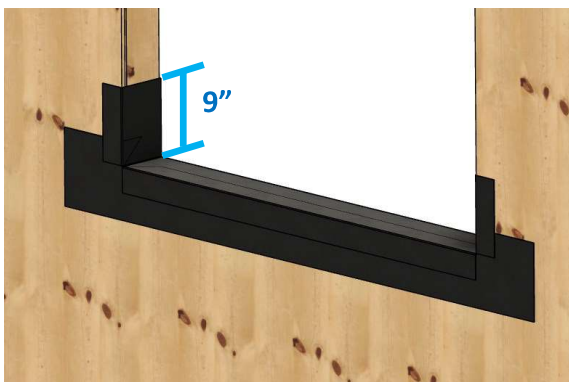
Derived from AAMA Method A1 for New Construction

Rev A 11/3/2023

1) At the bottom of the opening, install 9" flashing tape as shown. The flashing tape should be the width of the opening plus double the width of the flashing tape, and wrap 3" into the opening.



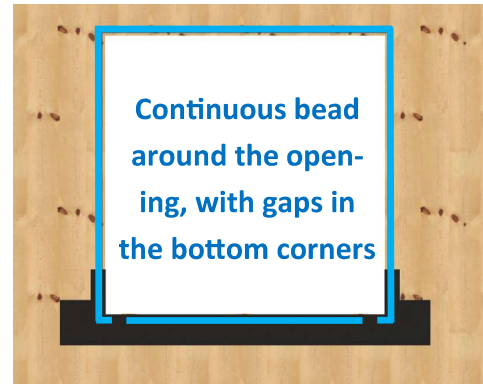
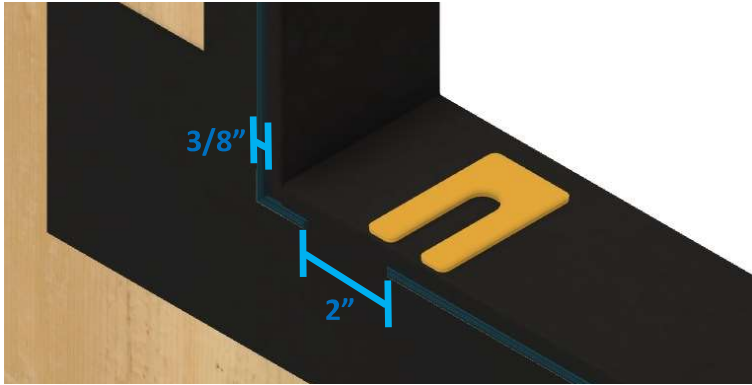
2) Install another strip of flashing tape of the same width on the sill, flush with the interior face of the opening. Fold the ends of the flashing tape up both sides 9".



3) Use 1/4" to 1/32" shims to level the sill. This ensures that the window will operate smoothly and expel water as intended.



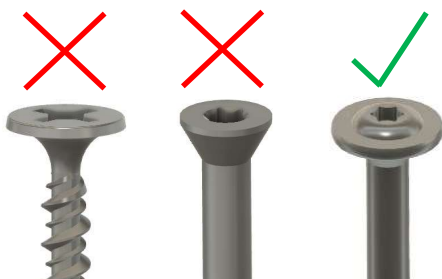
4) Apply a 3/8" wide continuous bead of **adhesive** caulk around the exterior face of the opening, about 1/2" away from the edge. On the sill, leave ~2" gaps in both corners to allow any unwanted moisture escape. We recommend using a high quality sealant such as OSI Quad MAX™ for this application



5) From the exterior, place the window into the opening. Center the window and ensure the nail flange makes contact with the caulk on all sides. The caulk should spread out when compressed, and appear from the holes in the nail flange. Check that the window is level and plumb.



6) Fasten the window using pan head screws. For white or adobe product, use a screw in every other nail flange hole. **For painted or carbon series product, use a screw in every flange hole.** Check level and plumb intermittently during this step.



Every hole for dark product, every other hole for white/adobe



7) Apply 9" flashing tape on both jambs. These sections of flashing tape should be the height of the opening plus double the width of the tape, minus 1". When applied, the flashing tape should cover the entire nail flange on both sides.



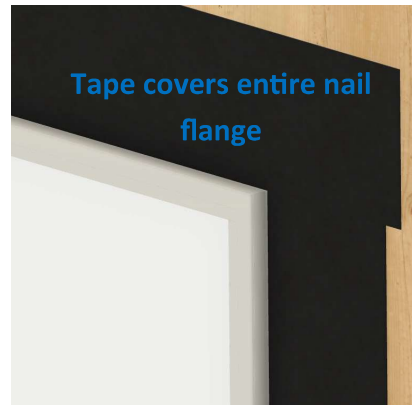
Height of
opening + (2 x
width of tape)
- 1"



Tape
covers
entire
nail
flange

8) Apply the head flashing tape in the same fashion. This final section of flashing tape should be the width of the opening plus double the width of the tape, plus 2".

Width of opening + (2 x width of tape) + 2"



Tape covers entire nail
flange