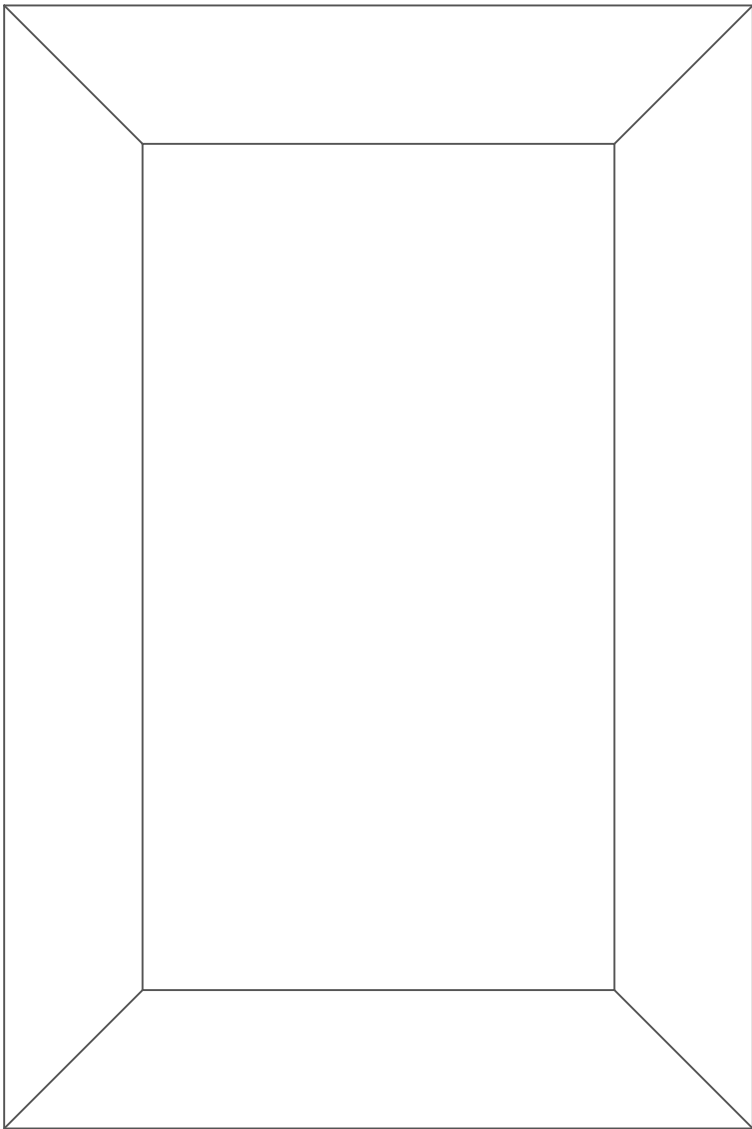
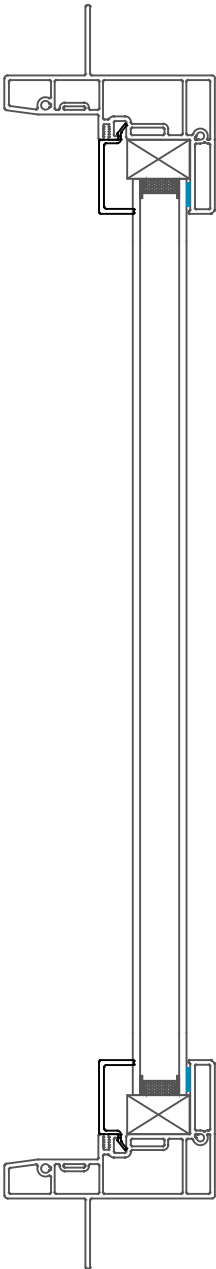
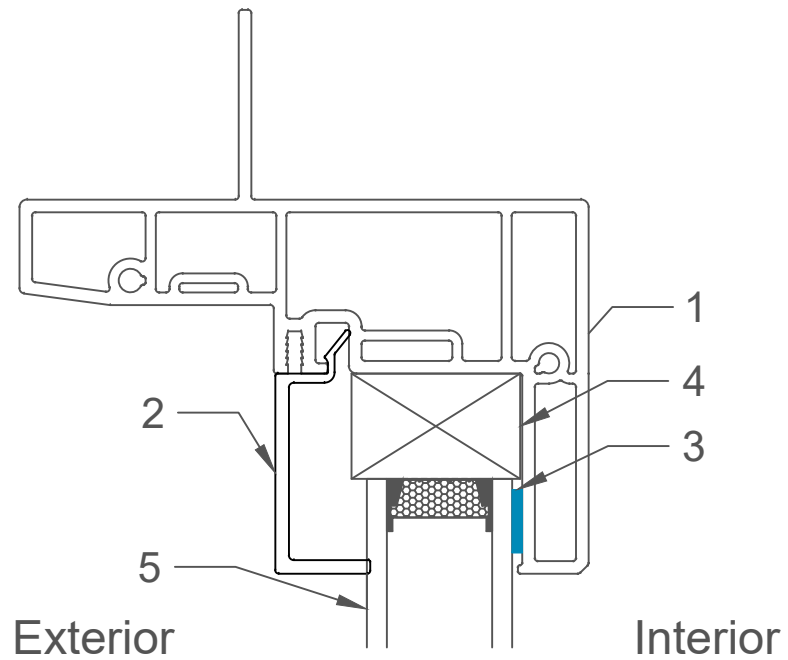


<b>Company Name</b>	Coeur D'Alene Window Co.		
<b>Series/Model:</b>	3411 Casement Picture Window		
<b>PART #</b>	<b>PART DESCRIPTION</b>	<b>MATERIAL</b>	<b>FINISH</b>
Part 1	KE2010 Casement Main Frame	rPVC	
Part 2	K2756 Glazing Bead	rPVC	
Part 3	Glazing Tape	Foam	
Part 4	5/8" x 1" x 2" Setting Block	Neoprene	
Part 5	IGU	Glass	
<b>Triple Glaze</b>			
<b>PART #</b>	<b>PART DESCRIPTION</b>	<b>MATERIAL</b>	<b>FINISH</b>
Part 6	Triple Glaze Bead	rPVC	
Part 7	Triple Glaze IGU	Glass	

# 3410 Casement Picture Window



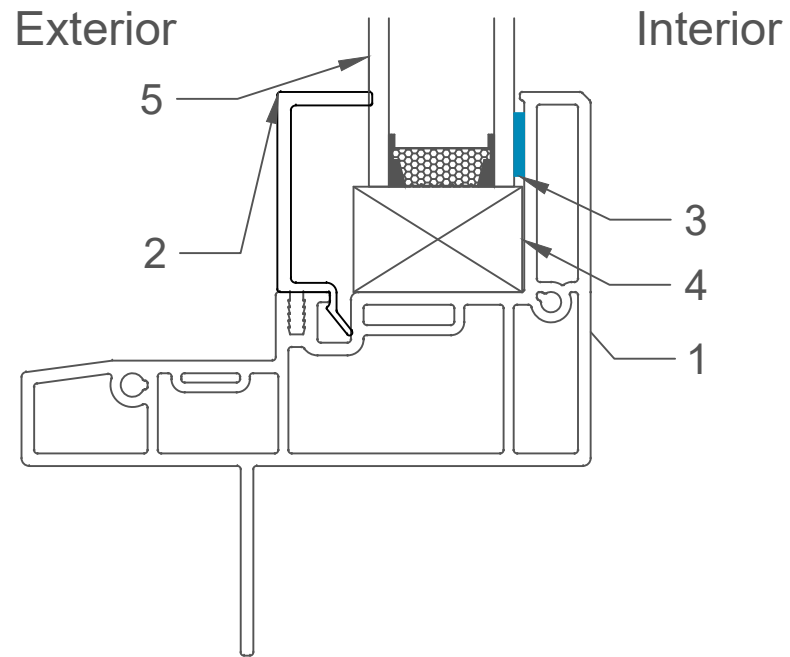
Thermal  
Computer  
Simulation  
Packet



HEAD  
ASSEMBLY

Scale 1:1

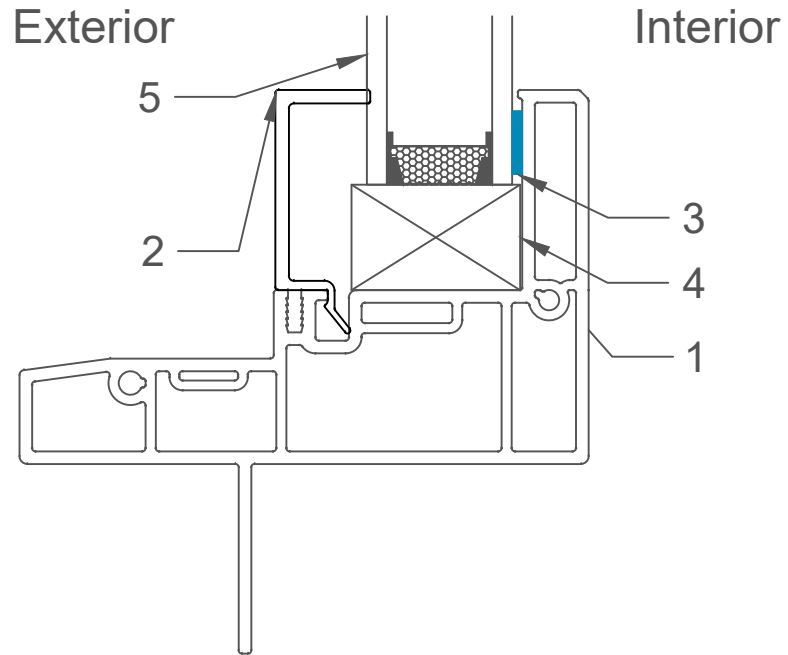
Thermal  
Computer  
Simulation  
Packet



SILL  
ASSEMBLY

Scale 1:1

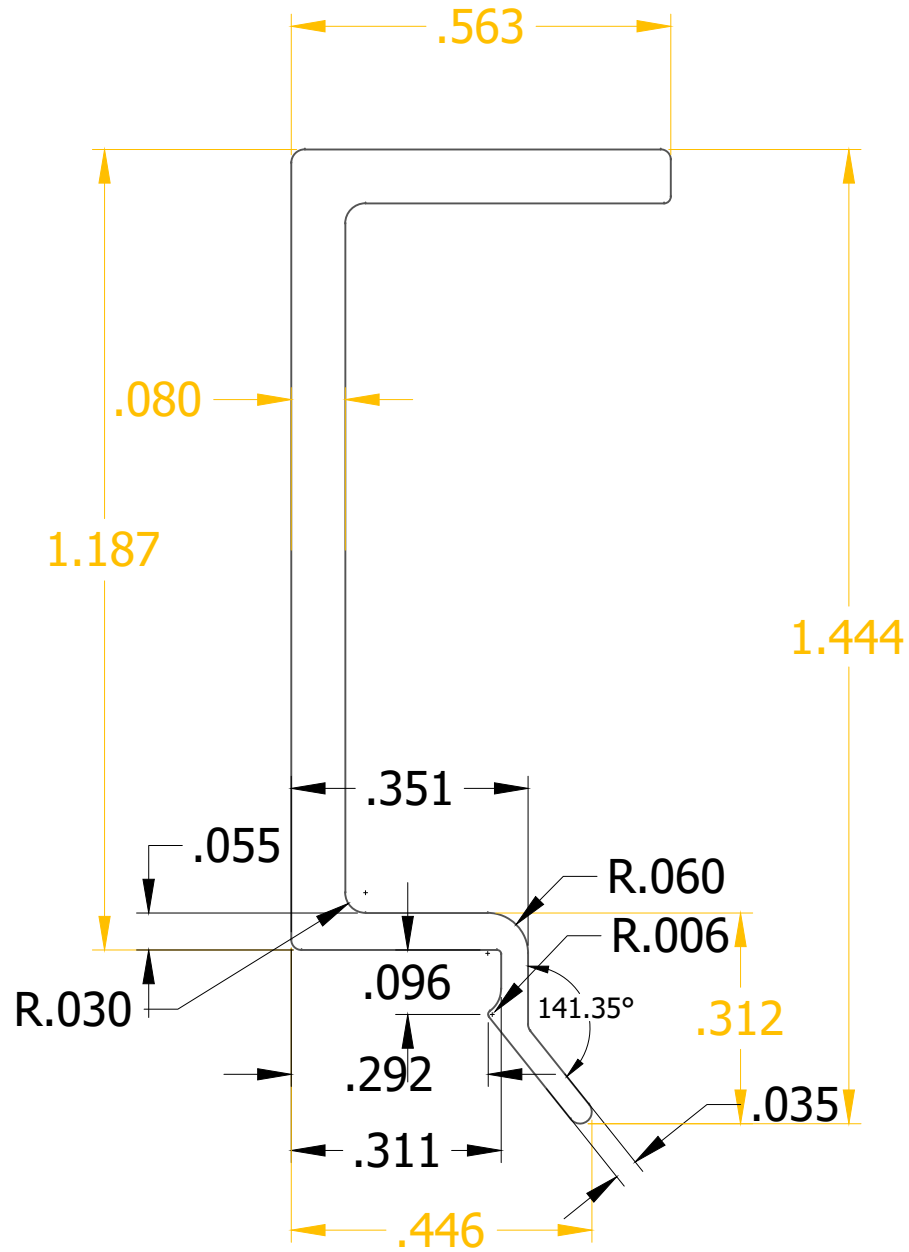
Thermal  
Computer  
Simulation  
Packet



JAMB  
LEFT &  
RIGHT  
ASSEMBLY

Scale 1:1

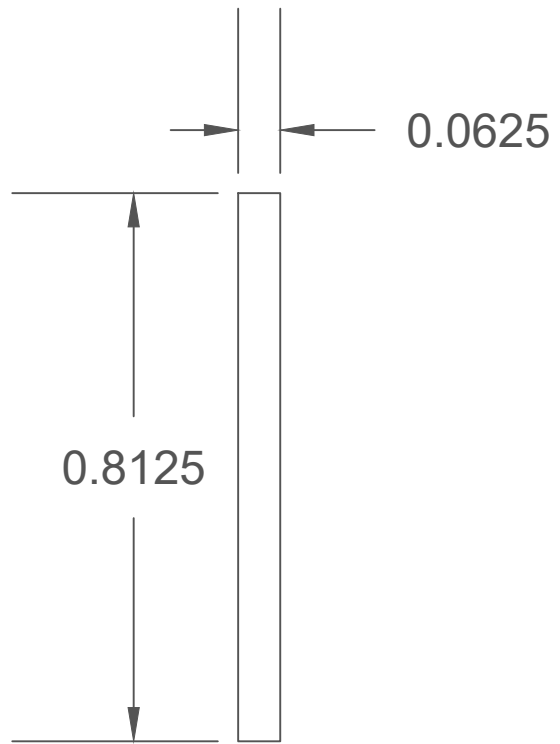




Thermal  
Computer  
Simulation  
Packet

Part #2  
Glazing Bead

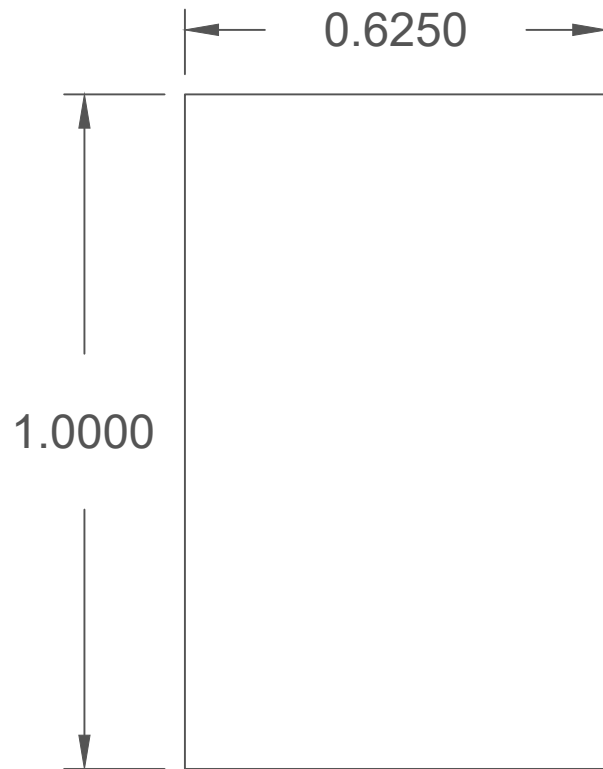
Scale NTS



Thermal  
Computer  
Simulation  
Packet

Part # 3  
Glazing Tape

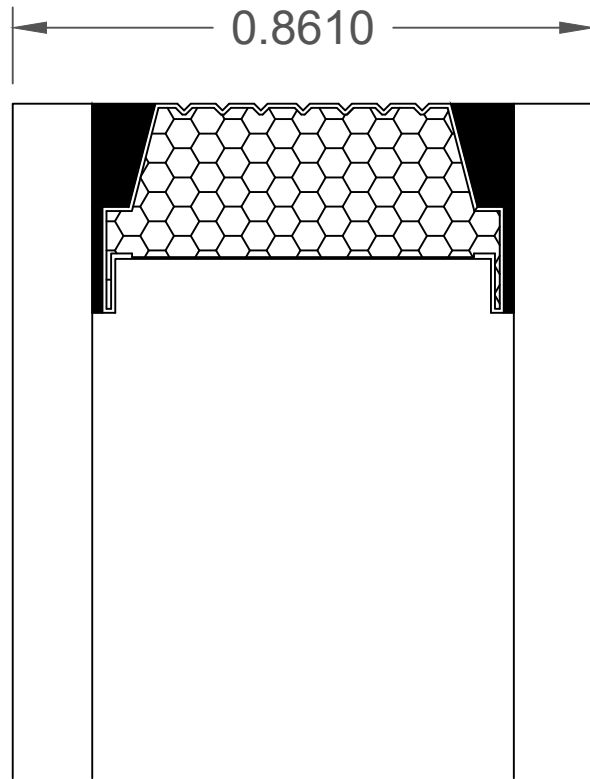
Scale NTS



Thermal  
Computer  
Simulation  
Packet

Part # 4  
Setting Block

Scale NTS

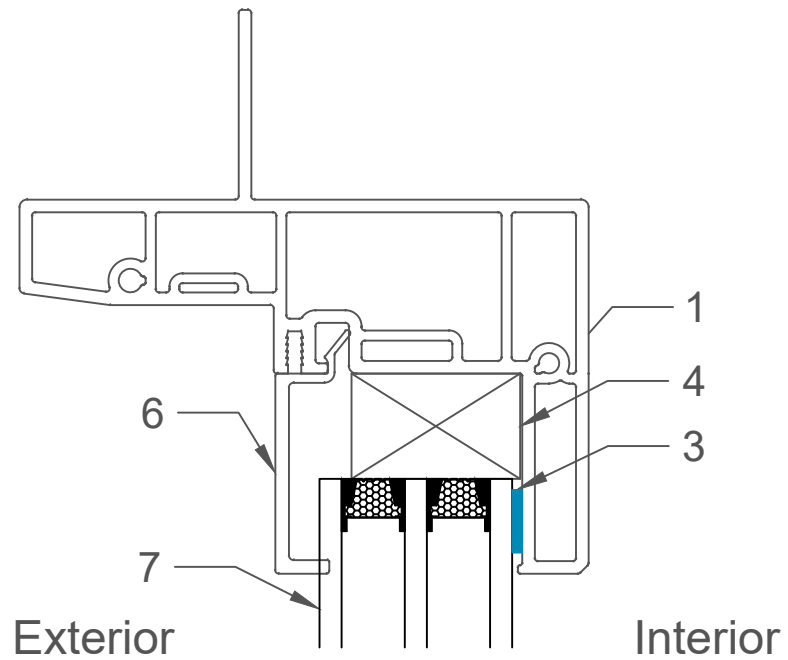


Thermal  
Computer  
Simulation  
Packet

Part # 5  
IGU

Scale NTS

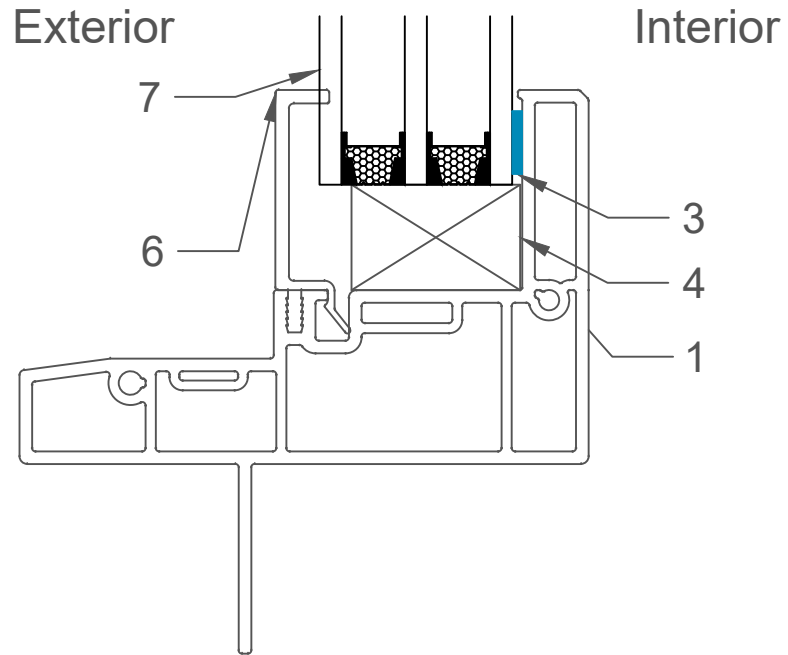
Thermal  
Computer  
Simulation  
Packet



TRIPLE  
GLAZE  
HEAD  
ASSEMBLY

Scale 1:1

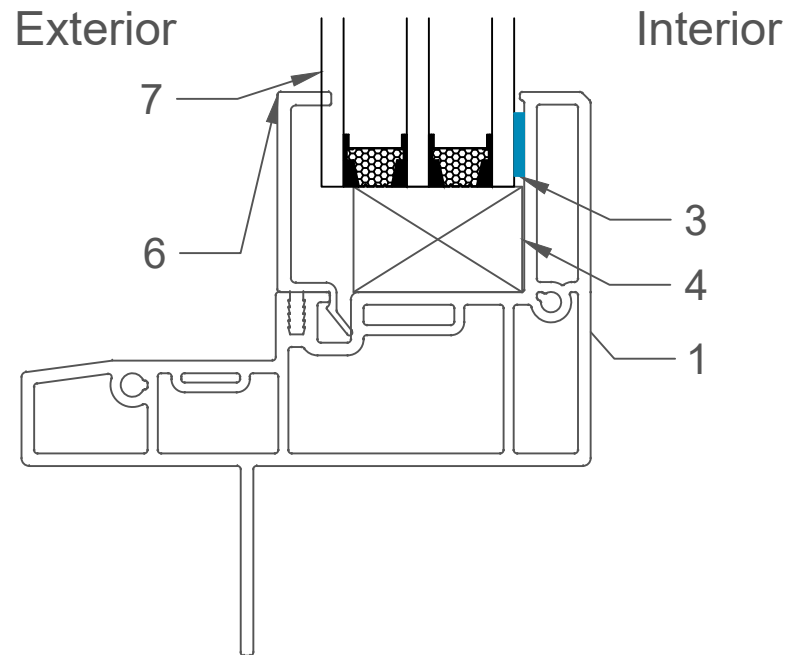
Thermal  
Computer  
Simulation  
Packet



TRIPLE  
GLAZE  
SILL  
ASSEMBLY

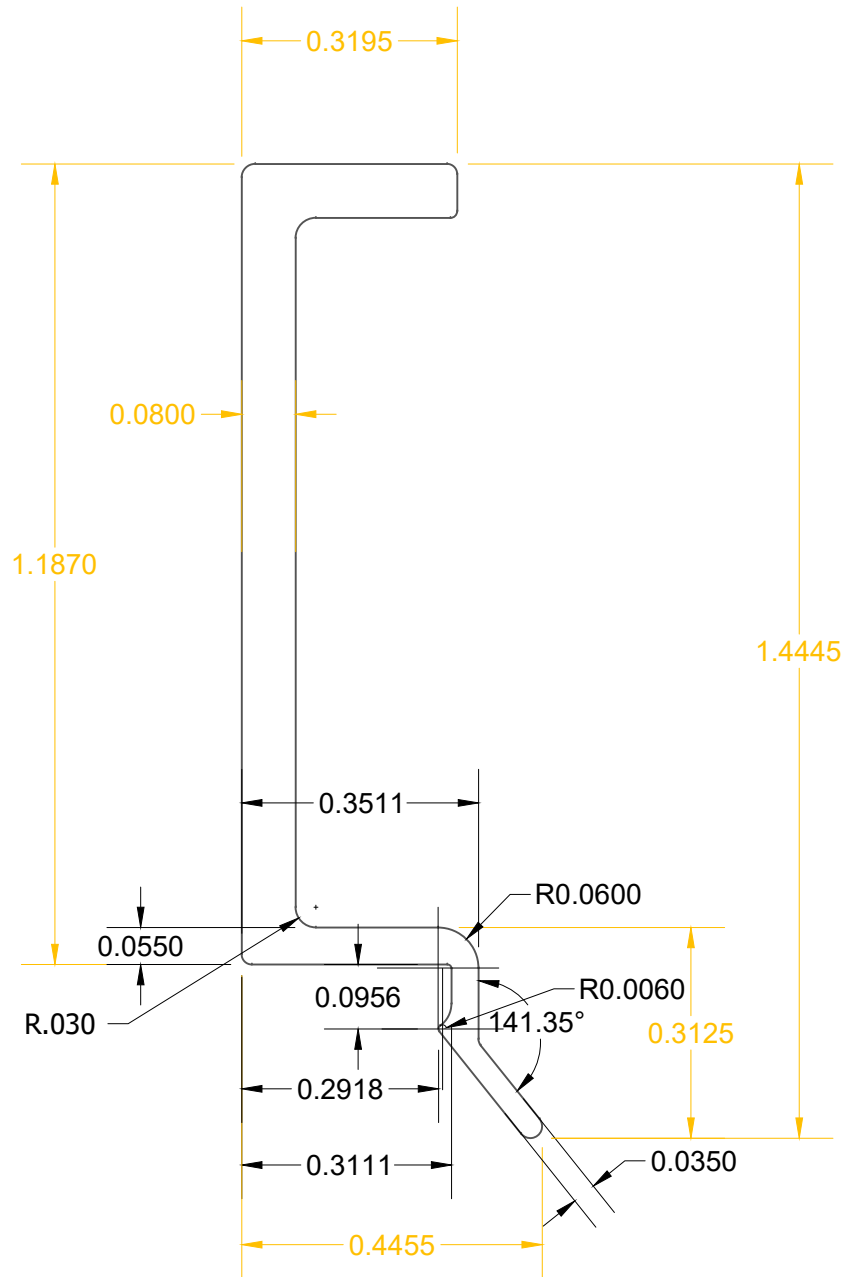
Scale 1:1

Thermal  
Computer  
Simulation  
Packet



TRIPLE  
GLAZE  
JAMB  
ASSEMBLY

Scale 1:1

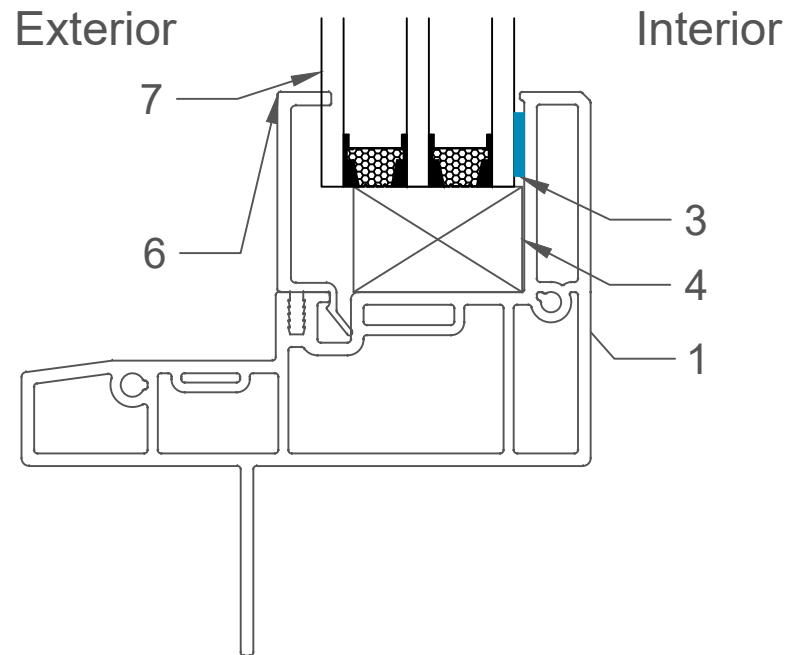


# Thermal Computer Simulation Packet

Part # 6  
Triple Glaze  
Bead

Scale NTS

Thermal  
Computer  
Simulation  
Packet



TRIPLE  
GLAZE  
JAMB  
ASSEMBLY

Scale 1:1